

KSB20 // CLEVELAND SR.

DECORATIVE SPLIT BASE



The Cleveland Sr. is a sophisticated design that retains the genuine flavor of yesteryear. The aluminum clam shell base offers easy installation and is available with either round or fluted shafts, to customize for individual project needs.

SPECIFICATIONS

MATERIAL:

Aluminum

WEIGHT:

70 lbs

BASE HEIGHT:

34"

BASE WIDTH:

24"

HANDHOLE HEIGHT:

20.25"

MAX. OPENING:

11 1/8"

MAX. BUTT SIZE:

11" (Non-tapered)

11" (0.14"/ft Tapered)

MAX. BASEPLATE:

14" (Square)

18.25" Ø (Circle)

MAX. ANCHOR BOLT PROJECTION:

4.5"

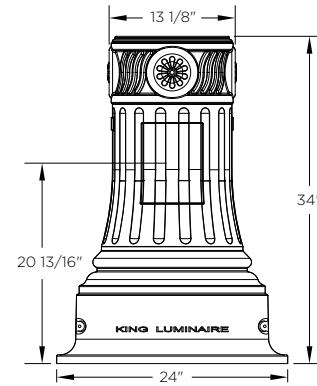
COMPATIBLE POLES

Pole Style	Pole Butt Size
RF	8
	9*
	10*
FF	8
	9*
	10*

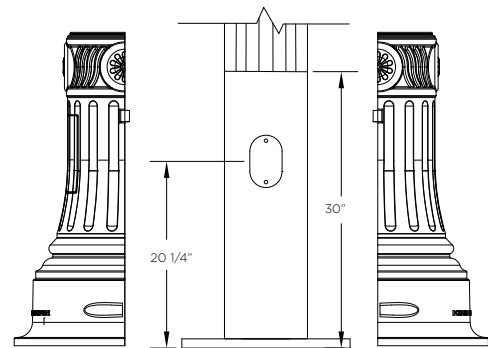
* Recommended size

Note: Recommended sizes reflect those with the best overall looking fit of pole and base combination.

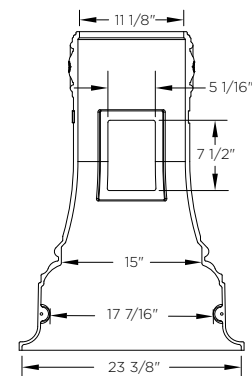
BASE DIMENSIONS



Split Base Detail



Split Base Detail with Shaft



Cross Section Detail