



SITE AMENITIES

FROM KING LUMINAIRE



THE FAIRVIEW TRASH RECEPTACLE - KTR35



For years, there has been a King Luminaire fixture and pole for virtually every application. That statement can now be applied to

site furnishings with the introduction of King's line of decorative site amenities. Our designers have risen to the challenge and created site amenities that provide users with both style and functionality. With a number of models to choose from, and a wide selection of paint finishes and accessories, King's Site Amenities will complement any project.

The KTR35 offers a stylish design, made of 1/2" x 1" galvanized steel flat bar, a cast aluminum lid and a rigid 32 gallon plastic liner. Aluminum flowerettes encircle the top of the container and add to its pleasing design. A hinged door on the side of the frame allows for easy and simple removal of its contents and is held secure by a latch and pad lock detail. Anchor bolt mounting tabs on the bottom also help keep the receptacle secure and aid against theft and vandalism.

The KTR35 is finished with King's own "KingCoat" paint finish, giving it not only a high quality color coat, but also protecting it against outdoor elements.

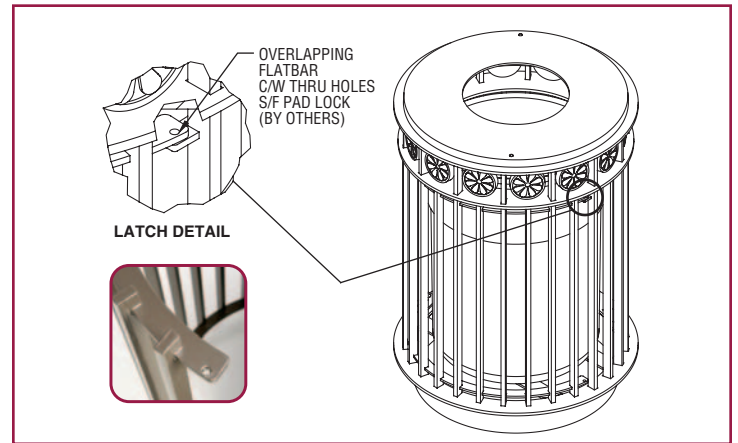
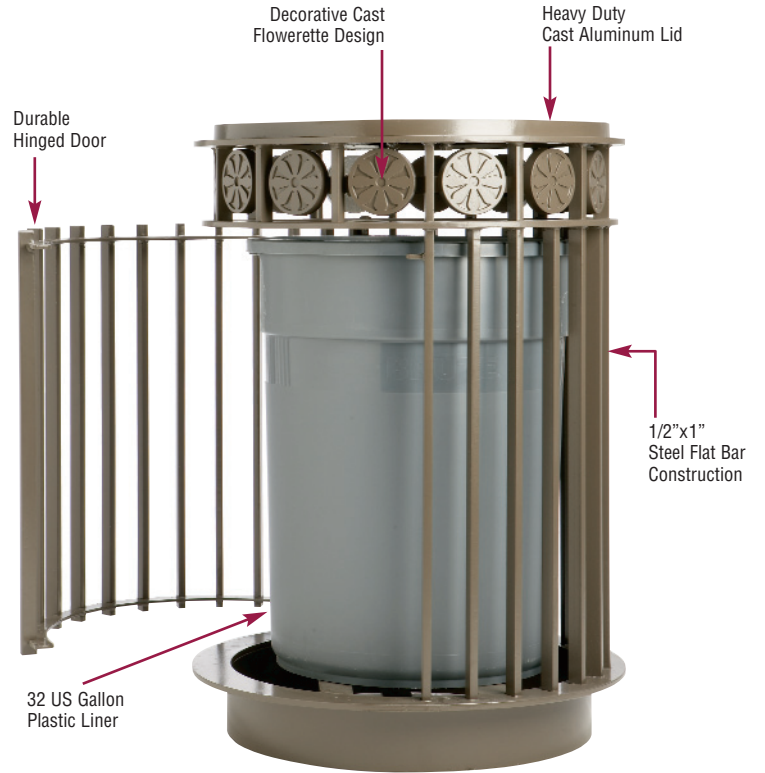
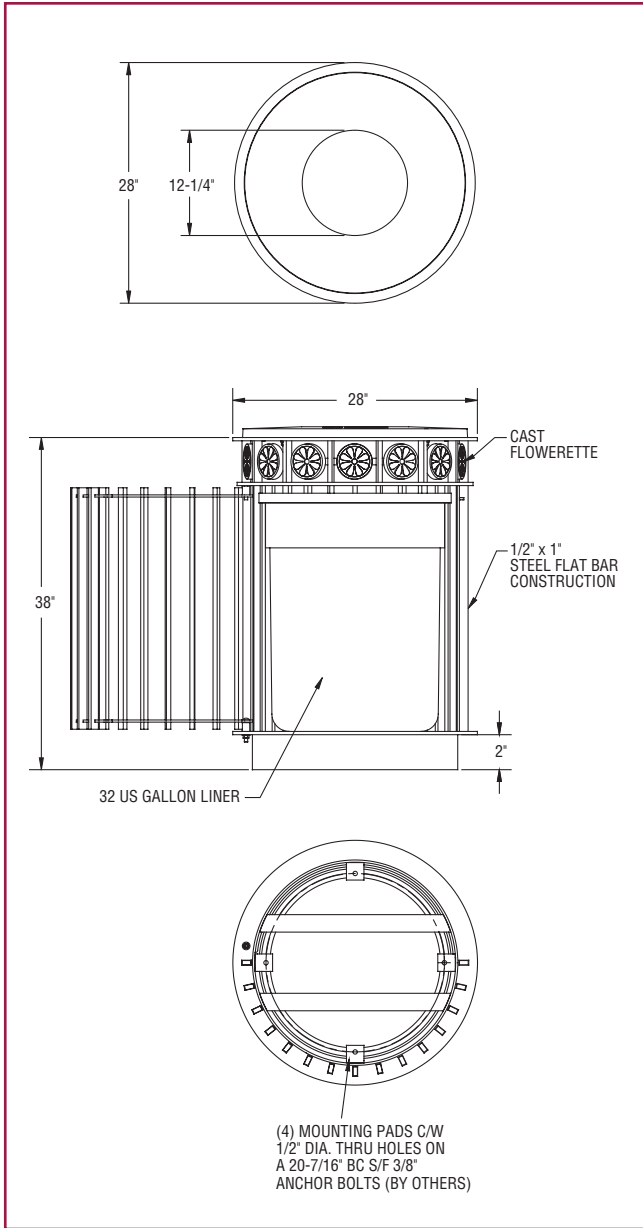
Providing strength, security, and style, the KTR35 Fairview trash receptacle will accent any architectural setting and is further complemented when paired with the KDB35 Fairview bench



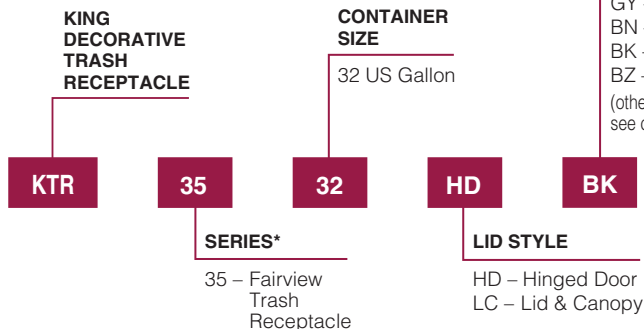
Standard, premium and custom paint colors available, please contact us for details.

THE QUALITY IS KING. THE DESIGNS, TIMELESS.

THE FAIRVIEW TRASH RECEPTACLE - KTR35



How to Catalog



PAINT COLOR

GN – Federal Green
 BE – Blue
 GY – Gray
 BN – Brown
 BK – Black
 BZ – Bronze
 (other colors available see color selector in catalog)

* please visit our website or see our catalog for other trash receptacle designs



King Luminaire • Stresscrete • Est. 1953

STRESSCRETE GROUP

www.kingluminaire.com • www.stresscrete.com

9200 Energy Lane
 Northport, Alabama, USA 35476-3442
 Tel: (205) 339-0711 Fax: (205) 339-4840
 Toll Free 1-800-435-6563

1153 State Route 46N
 Jefferson, Ohio, USA 44047
 Toll Free 1-800-268-7809 Fax: (905) 632-8116

14503 Wallick Road
 Atchison, Kansas 66002
 Tel: (913) 255-3112 Fax: (913) 255-3124
 Toll Free 1-800-837-1024

840 Walkers Line, P.O. Box 7
 Burlington, Ontario, Canada L7R 3X9
 Tel: (905) 632-9301 Fax: (905) 632-8116
 Toll Free 1-800-268-7809