

The beauty of **BOLLARDS**



StressCrete
GROUP

Innovative Bollard Design. Stylish, Functional and Durable.

StressCrete Group is proud to present an extensive line of lighted and nonlighted bollards. Many have been specifically created to complement a broad range of matching poles.

Historically, bollards were originally used for the purely functional purpose of tying up ships at dockside. Early landscape architects borrowed from the stand alone marine bollard and started using less massive designs to delineate special areas.

Today, bollards are specified regularly on all kinds of landscaping and streetscaping projects. StressCrete Group offers bollards in both concrete and aluminum with many different available options, making each one unique. Whether lighted for functionality or nonlighted, our bollards will add style to any setting.

LED OPTION:

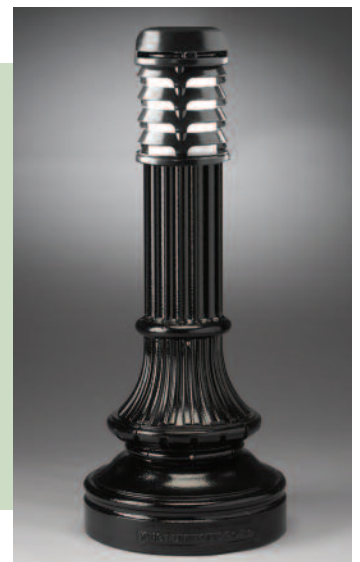
Available with our leading edge LED technology, combining lighting performance and efficiency with classic sophistication.



LARGE LOUVER OPTION:

For increased light output, choose to customize your bollard with Large Louvers. This unique look will add personality to any setting.

* Not available in
The Monitor or
The Martello Square.



UPLIGHT OPTION:

Many of our bollards are available with an uplight option (HID only). A perfect way to highlight landscape and outdoor features, uplight bollards truly make a statement.

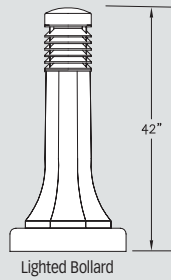
* Not available in LED.
* Not available with The Monitor
or The Martello Square.



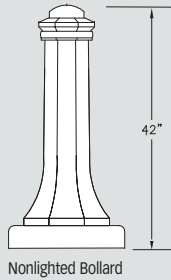
C O N C R E T E

The Washington ►

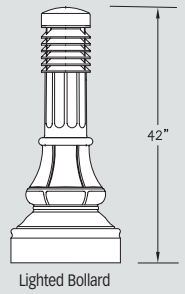
This bollard version of the ever popular Washington pole is a crowd pleaser at any time, whether used on its own to delineate a pathway or other landscape feature, or to match an overhead street or area lighting scheme on a more comprehensive project. Available in lighted or nonlighted versions, the Washington can be specified for direct burial or base plate mounting in any of the StressCrete Decor colors with etched finish.



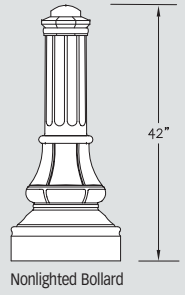
Lighted Bollard



Nonlighted Bollard



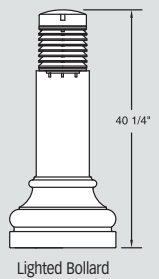
Lighted Bollard



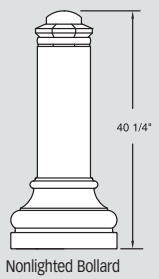
Nonlighted Bollard

◀ The Sheridan

With roots in one of the most popular ornamental concrete poles from the early 1920's, this bollard was crying out to be born. The Sheridan bollard, available in all StressCrete's beautiful etched or polished Decor colors, can be specified for either direct burial or base plate mounting. It will undoubtedly find its way onto many landscapes both on its own merits, and as the finishing touch to lighting projects utilizing the Sheridan pole.



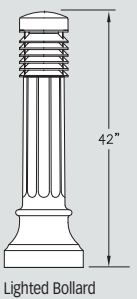
Lighted Bollard



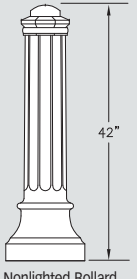
Nonlighted Bollard

◀ The Canterbury

Designed to complement the Canterbury family of spun concrete poles, the clean classical lines of this bollard will add ambience to any setting. When paired with the Canterbury spun concrete pole available in heights up to 30', it creates a truly complete look for city parks and waterfront settings. This bollard is available in etched finish and can be specified for economical direct burial or base plate mounting.



Lighted Bollard



Nonlighted Bollard

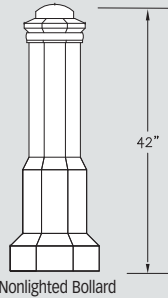
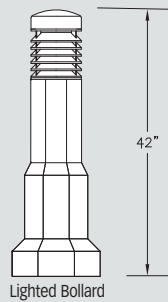
The Traditional ►

A bollard with a 10 flute shaft and gracefully expanded base enables a tie in with traditional themes without taking up a great deal of space. The Traditional can also be used in conjunction with a matching post top pole. Available in all the beautiful StressCrete etched Decor colors, the Traditional may be specified as suitable for base plate mounting or direct burial.

C O N C R E T E

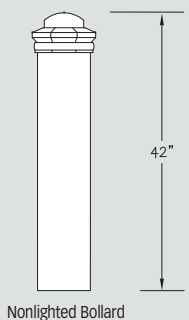
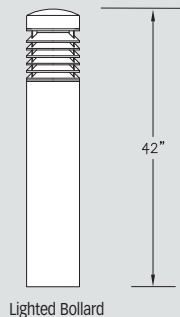
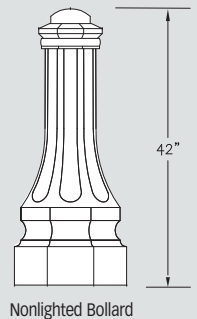
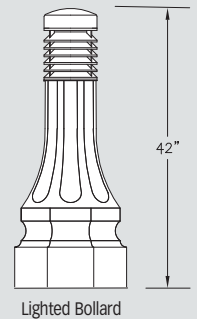
◀ The Classic

The Classic pole has been a very popular style and is also available as a bollard in spun concrete. This concrete version forms a part of the Classic pole family with heights up to 30'. Available as a lighted or nonlighted bollard the spun concrete Classic can be ordered in either etched or polished finish. It is available in all the beautiful StressCrete Decor colors and can be ordered direct buried or with base plate mounting.



The Talisman ▶

Originally designed to complement the Talisman pole family, this bollard can be used as an eye catching solo act, or as a lighted or nonlighted member of the Talisman installation. Offering all the benefits of StressCrete's Decor colors, this low maintenance bollard is available in etched finish and can be specified for economical direct burial or base plate mounting.

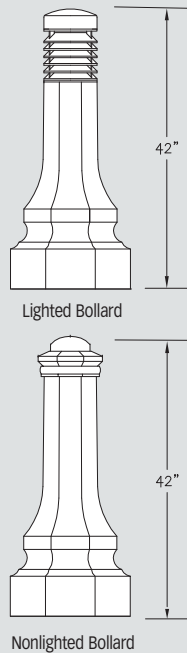
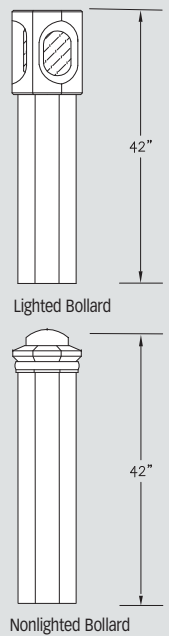


◀ The Silhouette

The clean uncluttered lines of the Silhouette makes this the go "anywhere" bollard that will fit with any outdoor theme. This spun concrete version is available in all of the StressCrete Decor colors in the etched finish. The Silhouette can more than hold its own with the more complex designs of other bollards. The concrete version can be specified for the economy of direct burial as well as for base plate installation.

The Monitor ▶

This truly unique design with undertones of its marine ancestry has caused comment wherever it has been installed. Originally available in lighted form only, it can now also be ordered as a nonlighted unit. Available in all the zero maintenance StressCrete Decor colors in etched or polished finish, it can be specified as base plate or direct burial installation.

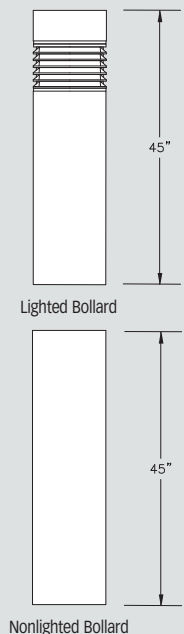


◀ The Belmont

Like the Talisman, the Belmont is a member of a complete pole family, and can either be used as such, or on its own where other lighting is not needed. The Belmont is available in both etched and polished finish in all of StressCrete's famous Decor colors, and can be specified for economical direct burial or base plate mounting.

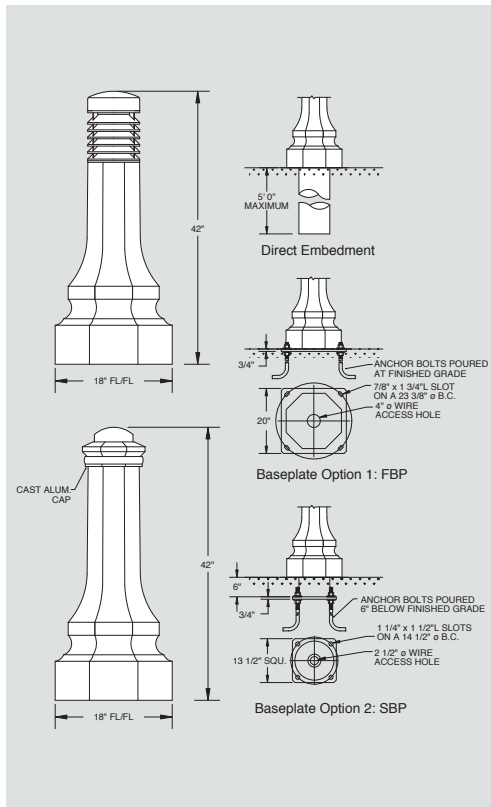
The Martello Square ▶

Like the historic towers that dotted the woods and moors of Europe, the Martello is massive and rugged. At 12" square and 45" high, it is large enough to make a definite statement, yet pleasing enough to attract the eye. Available in either the etched or polished finishes of StressCrete's beautiful Decor colors, the Martello can be specified as either direct buried or base plate mounted.

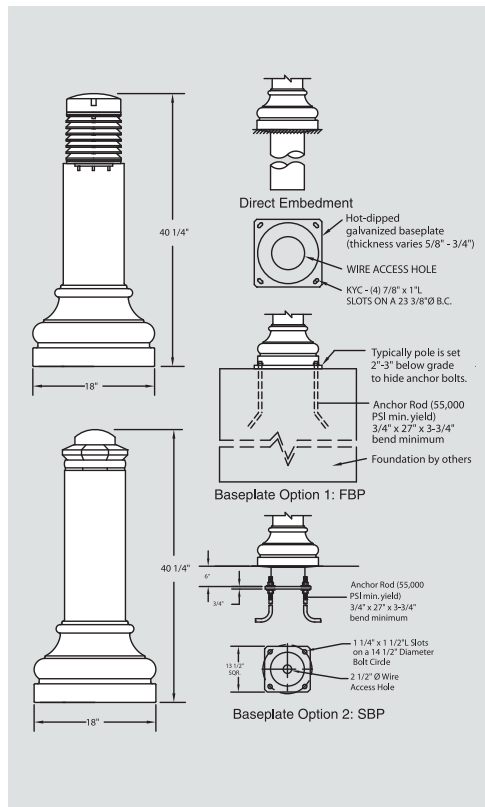


CONCRETE MOUNTING OPTIONS

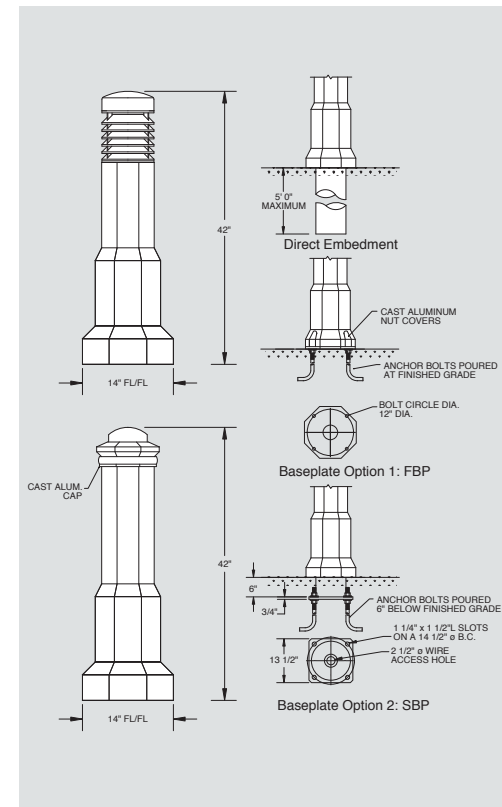
Belmont



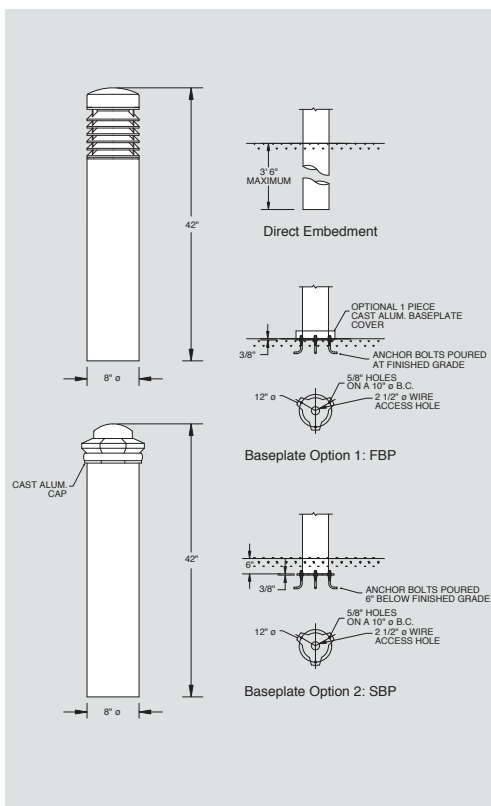
Canterbury



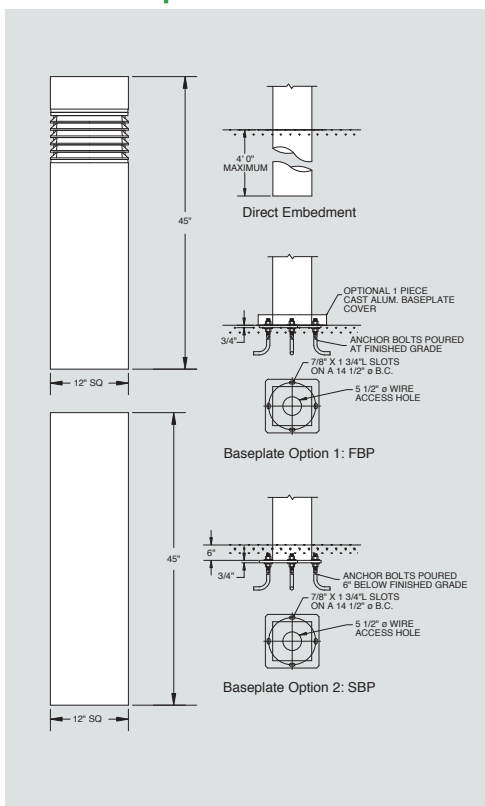
Classic



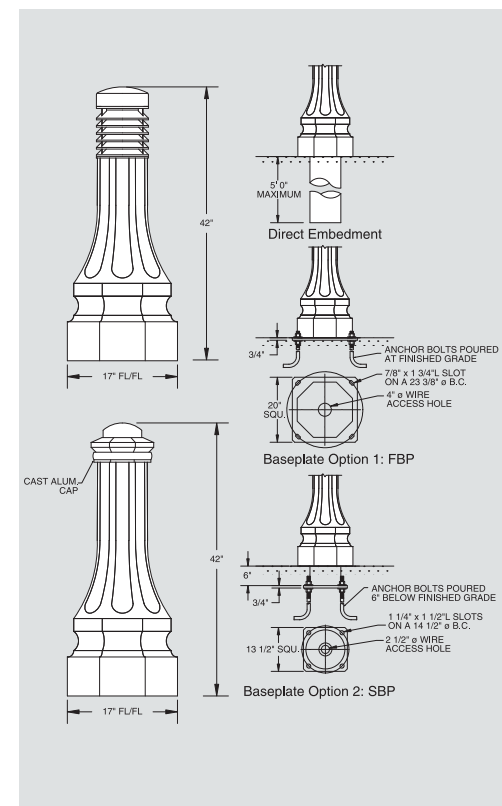
Silhouette



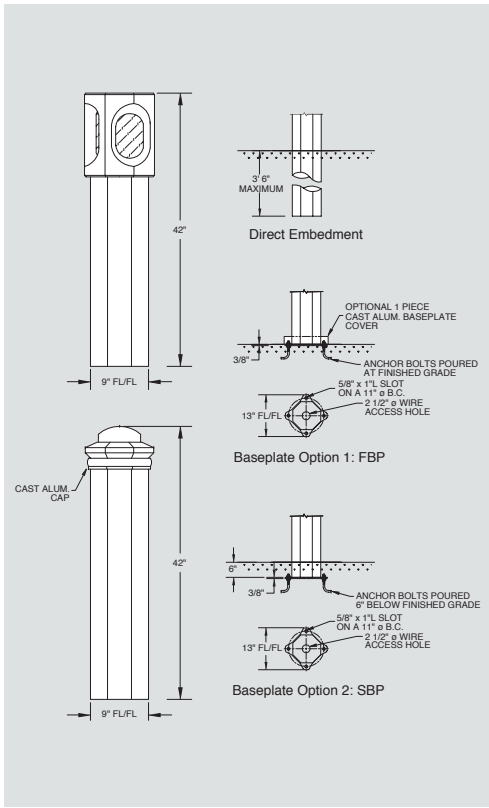
Martello Square



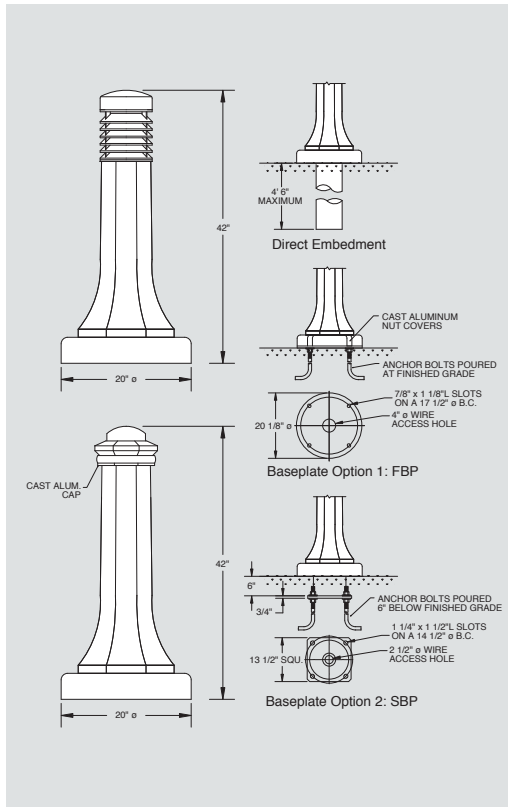
Talisman



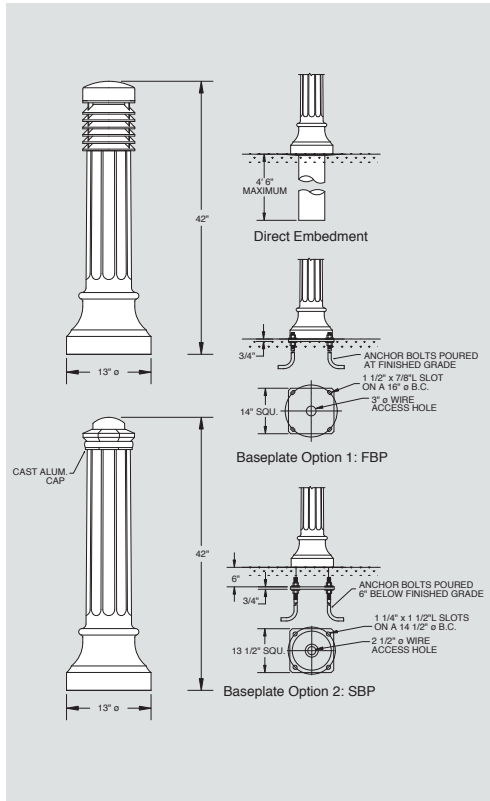
Monitor



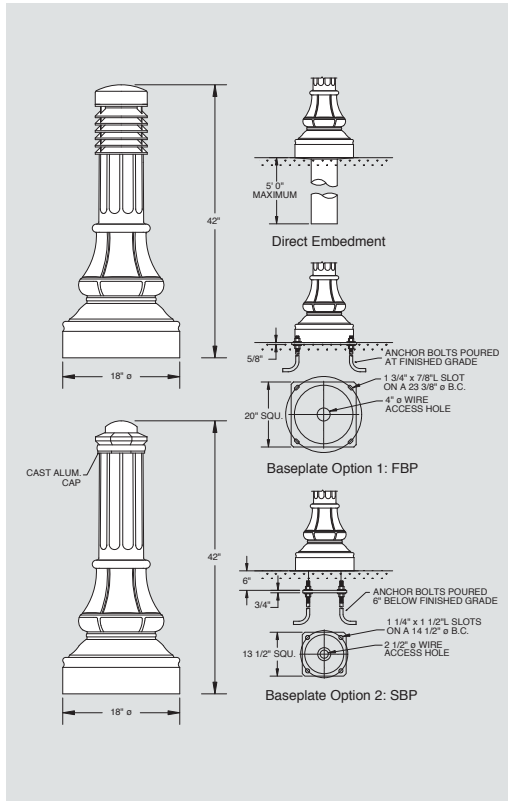
Sheridan



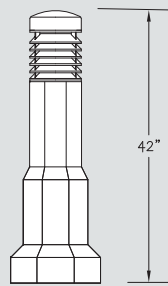
Traditional



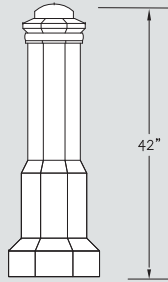
Washington



M E T A L



Lighted Bollard



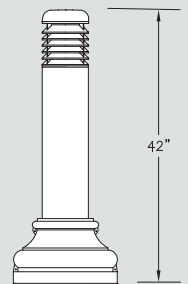
Nonlighted Bollard

◀ The Classic

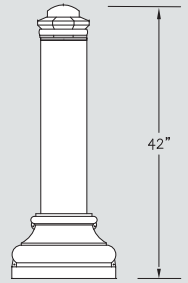
The Classic has been so successful both as a pole and a bollard in spun concrete, that it was decided to offer it in cast aluminum for those occasions when a painted metal finish was preferred. The aluminum version is teamed with a 15' matching pole. Available lighted or nonlighted, the cast aluminum Classic can be finished in all the KingCoat™ colors.

The Canterbury ▶

A heavy duty extruded aluminum shaft coupled with a flared base ensures that this decorative but contemporary design will add character to any landscape, particularly when used in conjunction with the Canterbury pole. Finished in any of the dazzling array of KingCoat™ colors, the Canterbury awaits to complement your next project.



Lighted Bollard

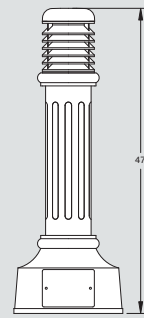


Nonlighted Bollard

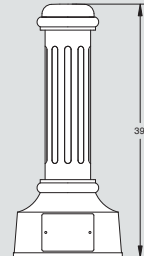


The Colonial ▶

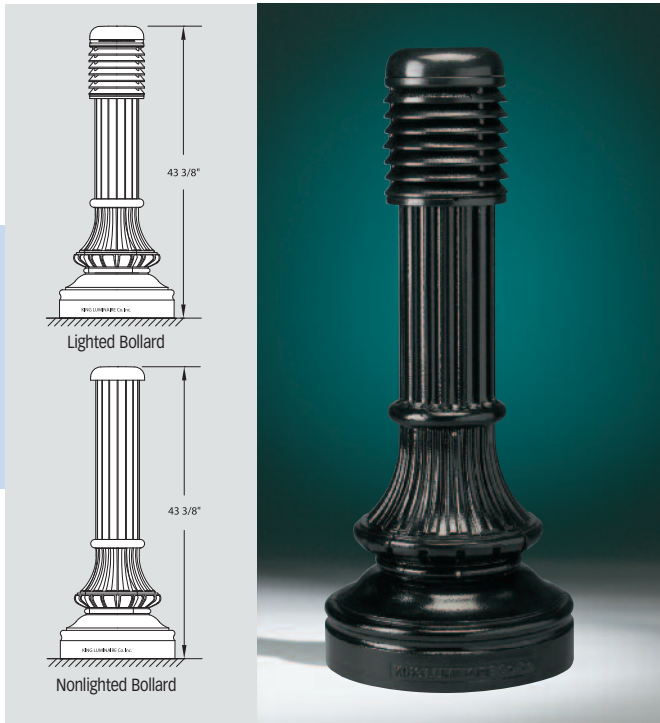
Like the pole family that bears the same name, the appearance of the Colonial has a decidedly traditional flavor. Made of rugged cast aluminum and finished in any of the wide variety of KingCoat™ colors, the Colonial will add luster to any project on which it is used.



Lighted Bollard



Nonlighted Bollard



◀ The Washington

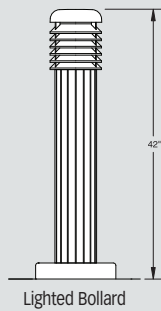
Constructed of heavy duty cast aluminum, the popular Washington style will complement any street or landscaping project. Also available as a spun concrete bollard and matching concrete pole, this bollard is suitable in cases where a metal finish is preferred. It is finished in any of the high quality KingCoat™ colors.



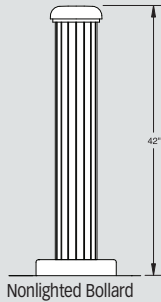
M E T A L

◀ The Silhouette - Fluted

With a very similar look to the standard Silhouette bollard, this fluted version adds a more decorative element to any landscape. Constructed in heavy wall extruded aluminum, it can be finished in all the KingCoat™ colors. As with all metal bollards, it is available in base plate installation only; in lighted or nonlighted versions.



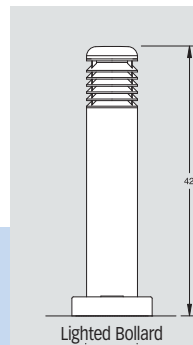
Lighted Bollard



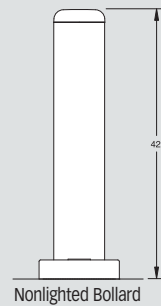
Nonlighted Bollard

The Silhouette ▶

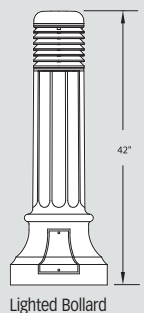
The clean uncluttered lines of the Silhouette makes this the go "anywhere" bollard that will fit with any outdoor theme. Constructed in heavy wall extruded aluminum it can be finished in all the KingCoat™ colors. As with all metal bollards, it is available for base plate installation only; in lighted or nonlighted versions.



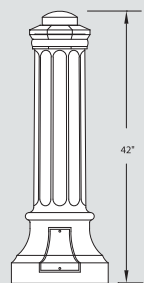
Lighted Bollard



Nonlighted Bollard



Lighted Bollard



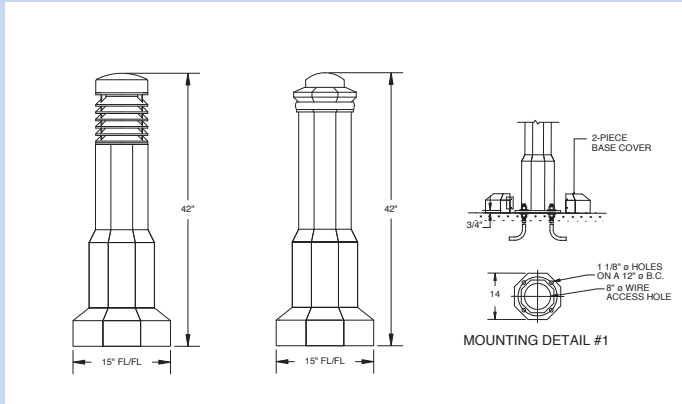
Nonlighted Bollard

◀ The Traditional

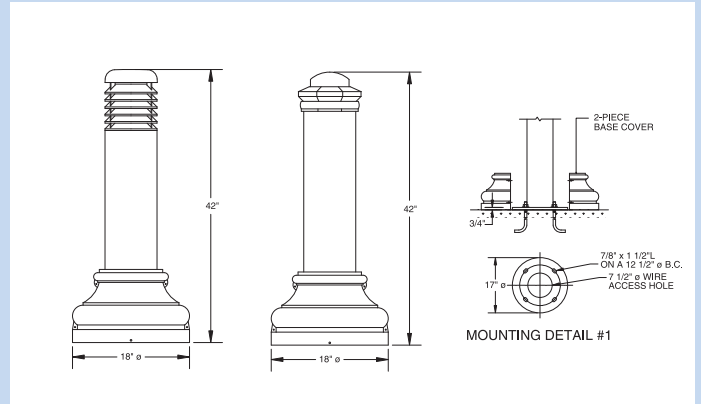
The newest addition to the aluminum bollard family, the Traditional aluminum bollard has the same look as the matching concrete version. Available in lighted or nonlighted (shown in photo), its smaller stature is ideal for removable applications.

METAL MOUNTING OPTIONS

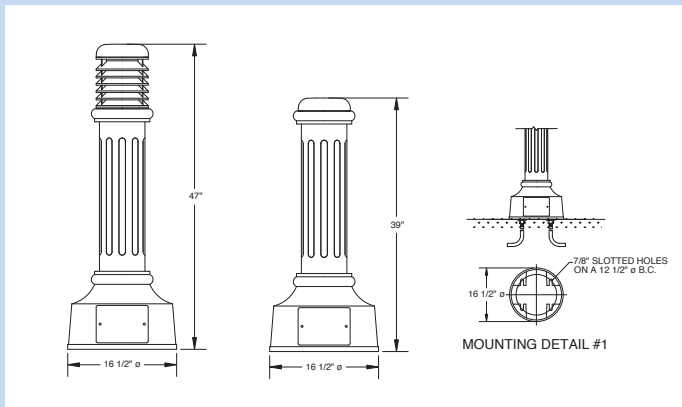
Classic



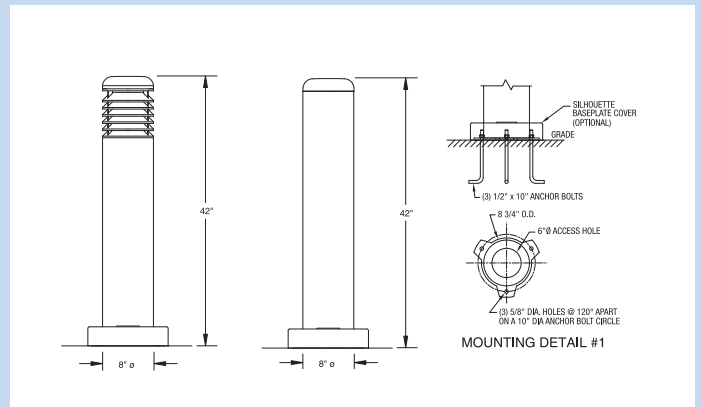
Canterbury



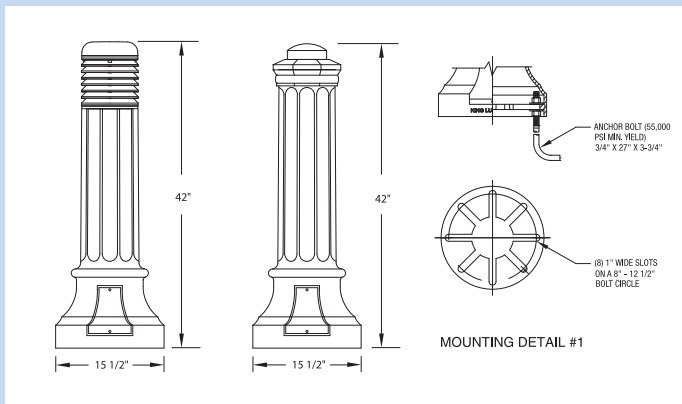
Colonial



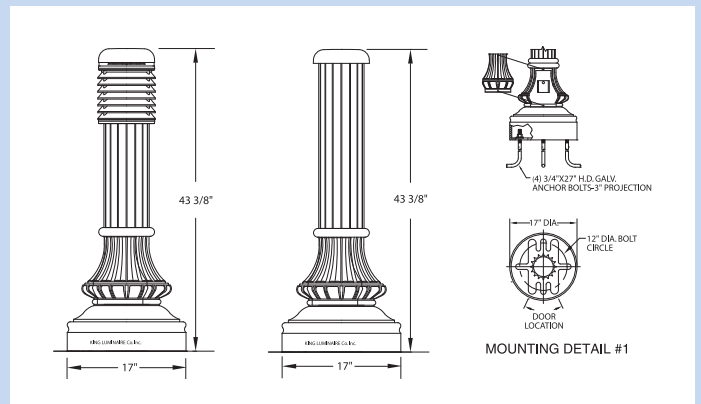
Silhouette



Traditional



Washington





The beauty of **BOLLARDS**

How to Order

BOLLARD STYLE

KN - King Nonlighted Bollard
 KL - King Lighted Bollard
 KLL - King Lighted Large Louvered Bollard^{3*}
 * Standard louvers 7/8", large louvers 2" for increased light output

STRUCTURAL TYPE

C - Spun Concrete
 A - Aluminum

OPTICAL SYSTEMS

T1AF (LED) - Tower Array Frosted Lens
 T1AC (LED) - Tower Array Acrylic Clear (Monitor and Martello Square only)
 IAC - Internal Acrylic Clear
 LAC - Louvre Acrylic Clear
 LGC - Louvre Glass Clear

IES CLASSIFICATION

Type V - All
 Type III - Monitor only

SOCKET SIZE

SSL - LED
 MED - Medium

LINE VOLTAGE

120
 208
 240
 277
 347
 480

COLOR OPTIONS (METAL)

GN - Green
 BE - Blue
 GY - Gray
 BN - Brown
 BK - Black
 BZ - Bronze
 *Additional options available on website

OPTIONS

GFI - GFI Duplex receptacle
 PBC - Photo Button Cell
 UP - Uplight Option c/w Stone Guard (Available with HID only, excluding Monitor and Martello Square)
 BPC - Base Plate Cover (removable)

CONCRETE OPTIONS

TD - Traditional³
 M - Monitor⁴
 S - Silhouette³
 C - Classic³
 B - Belmont³
 W - Washington³
 T - Talisman³
 SH - Sheridan³
 SQ - Square (12")²
 YC - Canterbury³

² LAC, T1AF, T1AC
³ LAC, LGC, T1AF
⁴ IAC, T1AF, T1AC

ALUMINUM OPTIONS

11 - Classic³
 22 - Colonial³
 90 - Canterbury³
 08 - Silhouette Round³
 10 - Washington³
 AL - Silhouette Fluted³
 TD - Traditional³

DESIRED WATTAGE (MAXIMUM)

LED - 40, 55
 HPS - 150
 MH - 175

LIGHT SOURCE

4001 - LED
 HPS - High Pressure Sodium
 MH - Metal Halide
 ID - Incandescent

COLOR/FINISH (CONCRETE)

S11 - Eclipse Black/Polished
 E11 - Eclipse Black/Etched
 S80 - Vintage Brown/Polished
 E80 - Vintage Brown/Etched
 S40 - Pearl Gray/Polished
 E40 - Pearl Gray/Etched
 S51 - Aztec Jade/Polished
 E51 - Aztec Jade/Etched
 *Additional options available on website

MOUNTING OPTIONS

* DB - Direct Buried
 FBP - Base Plate Mount (Option #1)
 * SBP - Base Plate Mount (Option #2)
 * Concrete only

StressCrete GROUP

9200 Energy Lane
 Northport, Alabama 35476
 (205) 339-0711

1153 State Route 46 North
 P.O. Box 266
 Jefferson, Ohio 44047
 1-800-268-7809

14503 Wallick Road
 Atchison, Kansas 66002
 (913) 255-3112

840 Walkers Line, P.O. Box 7
 Burlington, Ontario L7R 3X9
 (905) 632-9301
 1-800-268-7809

695 Arvin Avenue
 Stoney Creek, Ontario
 L8E 5R2
 (905) 632-9301
 1-800-268-7809

scgrp.com



Printed on 100% recycled paper.

© 2019 StressCrete Ltd., All rights reserved. Printed in Canada 0M0819